



MAGNETEK
MATERIAL HANDLING

P.O. Box 13615
Milwaukee, WI 53213
PH: 800.288.8178
PH: 800.298.3503

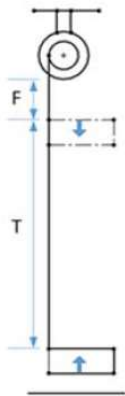
Customer: _____
Contact: _____
Email: _____
Phone: _____

End User: _____
RFQ No.: _____
Date Requested: _____
Date Due: _____

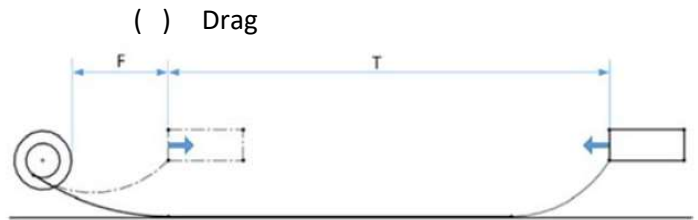
GENERAL EQUIPMENT INFORMATION

What is the equipment?

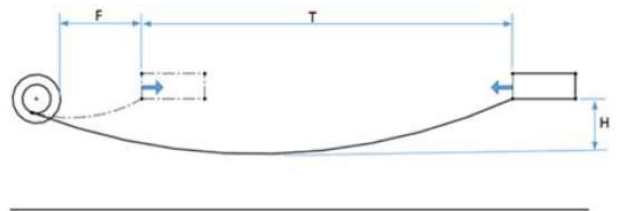
How will the reel be used? (Select one "X")
 Lift (cable reels are NOT lifting devices)
 Drag



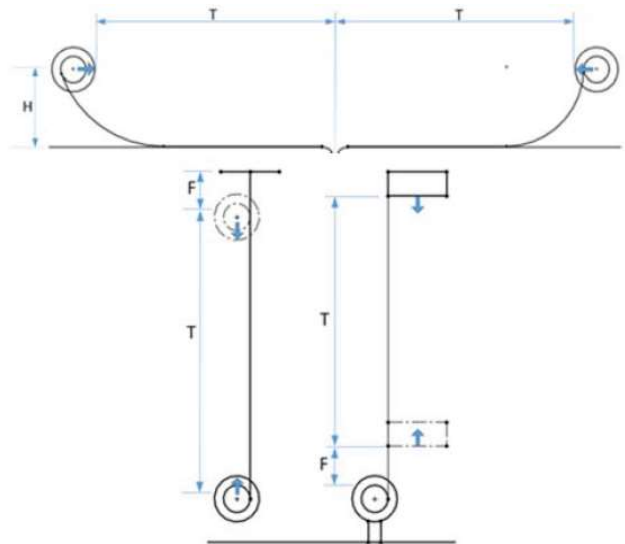
Other (sketch application below)



Sag (calculations on page 4)



Retrieve (calculations on page 4)





MAGNETEK
MATERIAL HANDLING

P.O. Box 13615
Milwaukee, WI 53213
PH: 800.288.8178
PH: 800.298.3503

ELECTRICAL REQUIREMENTS

Ampacity required per conductor: _____ Amps
 Ground and/or ground check? YES / NO _____
 Operating voltage of equipment: _____ Volts
 Allowable voltage drop in % of voltage required: _____ %
 Number of conductors needed, including ground and/or ground check: _____ Conductors

Are there any special requirements for electrical cable?

If cable reel is to be driven by motor, what motor voltage is required? _____ Volts

CABLE INFORMATION

Cable type or name: _____

Outer diameter of cable: _____ Inches
 Cable weight: _____ Pounds (per ft.)
 Minimum allowable flexing bending radius: _____ Inches
 Maximum allowable constant tension: _____ Pounds
 Wire size: _____ AWG

ENVIRONMENTAL REQUIREMENTS

Ambient temperature range: _____
 Average ambient humidity: _____
 Enclosure Requirement: (standard is IP55) _____ NEMA _____ IP

_____ Indoor
 _____ Outdoor
 _____ Chemical/dust/oil/gas/corrosive
 _____ Other

Metal finish of drum:
 _____ Standard wet epoxy resin
 _____ paint, color RAL 7031
 _____ Hot-Dip Galvanized
 _____ Stainless Steel
 _____ Other



MAGNETEK
MATERIAL HANDLING

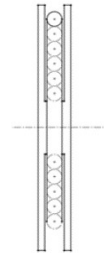
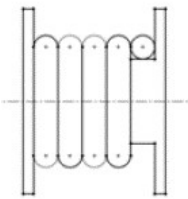
P.O. Box 13615
Milwaukee, WI 53213
PH: 800.288.8178
PH: 800.298.3503

CABLE REEL APPLICATION REQUIREMENTS

What type of cable storage is required? (Select one "X")

() Cylindrical

() Monospiral



Travel speed of equipment: _____

Speed (ft/min)

Time it takes to reach travel speed or acceleration: _____

Seconds it takes to reach travel speed (sec), OR
Acceleration of equipment (Ft/sec²)

Cable movements per hour: _____

Operating hours per day: _____

ACCESSORIES

_____ Slack detection payout guide

_____ Roller payout guide

_____ Rigid pedestal mount

_____ Cable pulley

_____ Power feed tunnel

_____ Swivel mount

Payout direction when looking at the slip ring cover: _____

Counter Clockwise (standard)
Clockwise

Fixed or Inactive length (this could also be hook-up slack): _____

Feet

Travel distance: _____

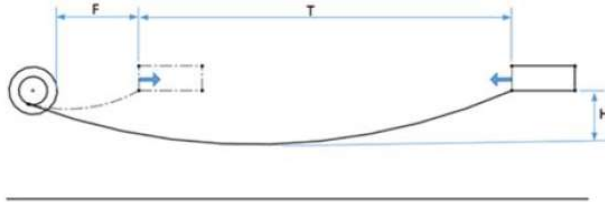
Feet



MAGNETEK
MATERIAL HANDLING

P.O. Box 13615
Milwaukee, WI 53213
PH: 800.288.8178
PH: 800.298.3503

FOR SAG APPLICATIONS



Calculations for allowable sag of cable (see illustrations above)

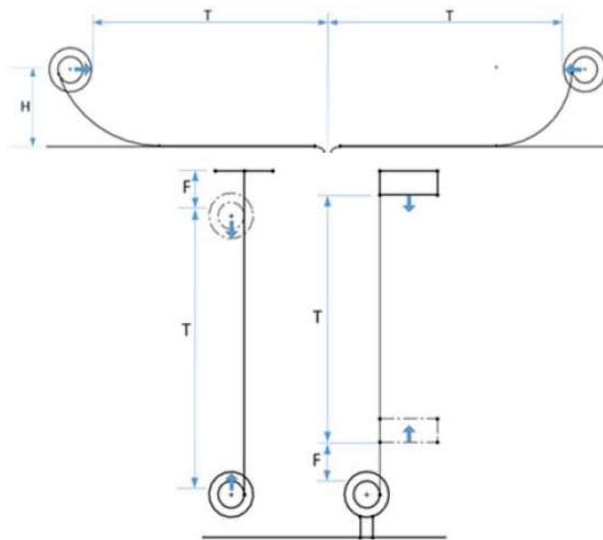
H(in) / (T + F) (ft) = _____

% (standard is 10%), OR

H = _____

Inches

HORIZONTAL RETRIEVING APPLICATIONS ONLY



Mounting height of reel:

H = _____ Feet

Notes: _____

Customer #: _____ Area: _____ Mult.: _____