

Instruction Manual Supplement

Type MBT "Brake Released" lever operated limit switch



This Supplement forms part of the Basic Instruction Manual. Be familiar with, and observe, all warnings in the Supplement, and the Certified Instruction manual.

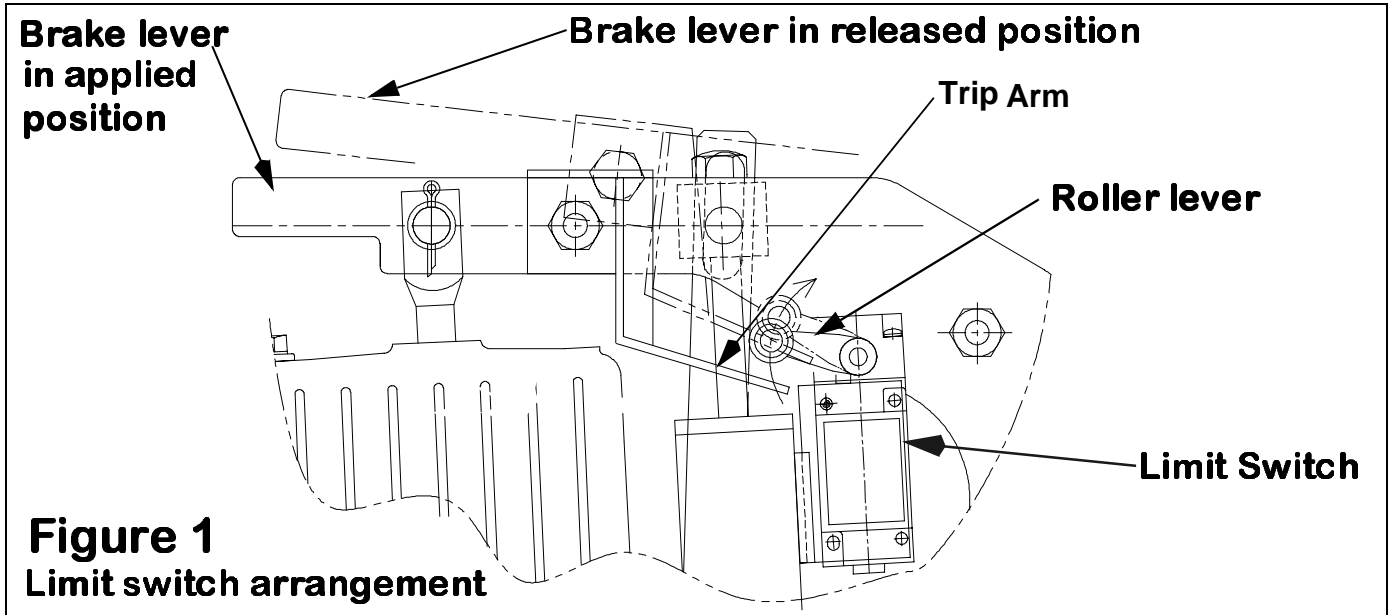


Figure 1
Limit switch arrangement



All electrical power to this equipment must be disconnected by competent personnel. Consult the specific wiring diagrams to identify and isolate all power inputs to the equipment.

1.0: Description

1.0.(a) : The arrangement shown in Figure 1, is typical only and may differ slightly on the specific brake

1.0.(b) : The device used to signal "BRAKE RELEASED" is a spring return to neutral, roller lever type switch, NEMA 9, Div. 1, Class II, Grp. EFG. enclosed, with a 1/2" NPT cable entry. Mondel part No. 170104.

1.0.(c) : The contact arrangement provides for 1 - N.O. and 1 - N.C. The contacts will invert when the brake is almost fully released.

1.0.(d) : The contacts are rated 6A break in accordance with NEMA A600.

1.0.(e) : The operating temperature range is minus 20⁰ F (29⁰C). to plus 200⁰ F (93⁰C).

1.0.(f) : The switch trip point is set at the factory. If the switch setting is disturbed it can be re-adjusted to "switch over" just prior to the actuator reaching the end of the release stroke, as late as possible while still being positively activated.